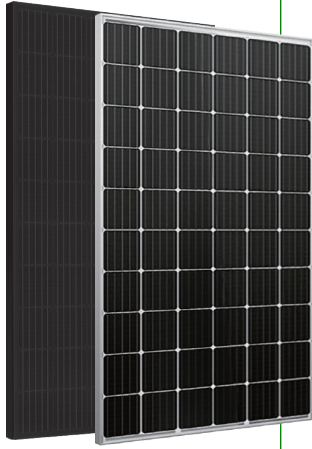


MONO

60 cells



V158 series, monofacial module



Features



High PID resistant
Advanced cell technology and qualified materials lead to high resistance to PID



High module efficiency
Advanced module technology delivers superior module efficiency



Current sorting process
System output maximized by reducing mismatch losses up to 2% with modules sorted & packaged by amperage



Positive tolerance
Positive tolerance of up to 5W delivers higher output reliability



Extended wind and snow load tests
Module certified to withstand extreme wind (3800 Pascal) and snow loads (5400 Pascal) \*



High system voltage Compatible
Maximum 1500VDC system voltage saves total system cost

Certifications and standards: IEC 61215, IEC 61730, conformity to CE



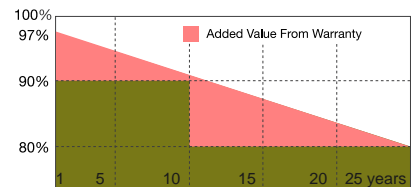
Chinayard Co.,LTD designs, manufactures and delivers high efficient solar modules to the world.

Founded in 2009, Chinayard is well known for its advanced technology, reliable product quality, and excellent customer service.

As one of leading PV enterprises, Chinayard has delivered more than 2.0G of solar products to residential, commercial, utility and off-grid projects all around the world.

Superior Warranty

- 12-year product warranty
25-year linear power output warranty



Chinayard distributor



Chinayard Co.,LTD

Version: CYC\_V201911\_EN

All information and data are subject to change without notice.

Email:chinayardliu@126.com

www.chinayard.com

## Electrical characteristics at Standard Test Conditions(STC)

Model	CYC-V158-				
	MF60-310M	MF60-315M	MF60-320M	MF60-325M	MF60-330M
Maximum Power(Pm)	310Wp	315Wp	320Wp	325Wp	330Wp
Cell type	Mono	Mono	Mono	Mono	Mono
Optimum Operating Current(Imp)	9.42A	9.51A	9.60A	9.69A	9.78A
Short Circuit Current (Isc)	9.94A	10.03A	10.13A	10.23A	10.32A
Optimum Operating Voltage(V)	32.90V	33.11V	33.30V	33.51V	33.72V
Open Circuit Voltage(Voc)	40.66V	40.92V	41.16V	41.42V	41.68V
Maximum System Voltage	1000V				
Module efficiency	18.58%	18.88%	19.18%	19.48%	19.78%

Standard Test Conditions (STC): Irradiance 1,000 W/m<sup>2</sup>; AM 1,5; module temperature 25°C.

Measuring uncertainty of power: ±3%.

Certified in accordance with IEC 61215, IEC 61730-1/2 and UL 1703.

## Temperature Characteristics

Nominal Operating Cell Temperature(NOCT) 45±2°C

Temperature Coefficient of Pmax -0.42%/°C

Temperature Coefficient of Voc -0.32%/°C

Temperature Coefficient of ISC +0.05%/°C

## Material Characteristics

Dimension 1665\*1002\*35mm

Weight Appro 19kgs

Frame Anodized aluminum alloy

Front Glass low-iron tempered glass ,3.2mm

Cell Encapsulation EVA (Ethylene-Vinyl-Acetate)

Back Sheet Composite film

Cells (quantity/material) 60 pieces solar cells series strings

Junction Box IP67

Cable&Connector Length 900 mm, 1x4 mm<sup>2</sup>, compatible film

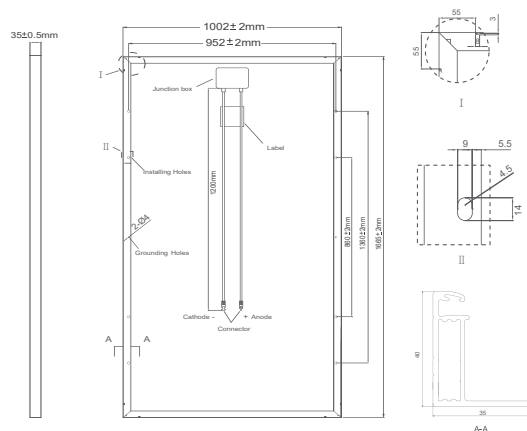
## Packaging

Container 20'

Container 40'

Container 40'HC 868 pieces

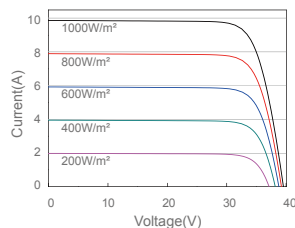
## Dimensions and Structure



Side

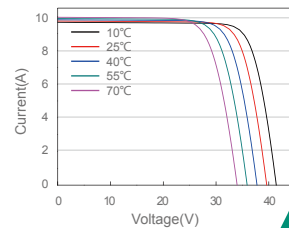
Back

Units: mm



Current-Voltage Curve

Units: mm



Chinayard distributor



 elSOL

Chinayard Co.,LTD

Version: CYC\_V201911\_EN

All information and data are subject to change without notice.

Email:chinayardliu@126.com

www.chinayard.com